



**INTERSTATE-McBEE**



# REPLACEMENT

Electronic Fuel Injectors & Components

- ◆ Caterpillar® – EUI
- ◆ Cummins® Celect® – N14 & M11
- ◆ Detroit Diesel® – Series 60
- ◆ HEUI



## Electronic Fuel Injectors & Components for:

- ◆ Caterpillar® EUI
- ◆ Cummins® Celect® N14 & M11
- ◆ Detroit Diesel® Series 60
- ◆ HEUI





## Contents

### ◆ Caterpillar® EUI

CAT 3406E and C-Series Injector – Exploded View	4
CAT C7/C9	5
CAT 3500E Injector – Exploded View	6

### ◆ Cummins® Celect® ; ISX

Celect Injector Components and Kits	7
Celect Injector – Exploded View	7
Celect Spray Tips	8
Celect Reman Injectors	8
EUI Kits & Components	9
Celect Fuel Pump	9
ISX - XPI Exploded View	10
ISX - HPI Exploded View	11
QSK Injectors	11
Cummins Common Rail	12

### ◆ Detroit Diesel® Series 60

DDC S60 Injector Exploded View	13
DDC S60 Pump Exploded View	14
DDC EUI Components	15

### ◆ HEUI

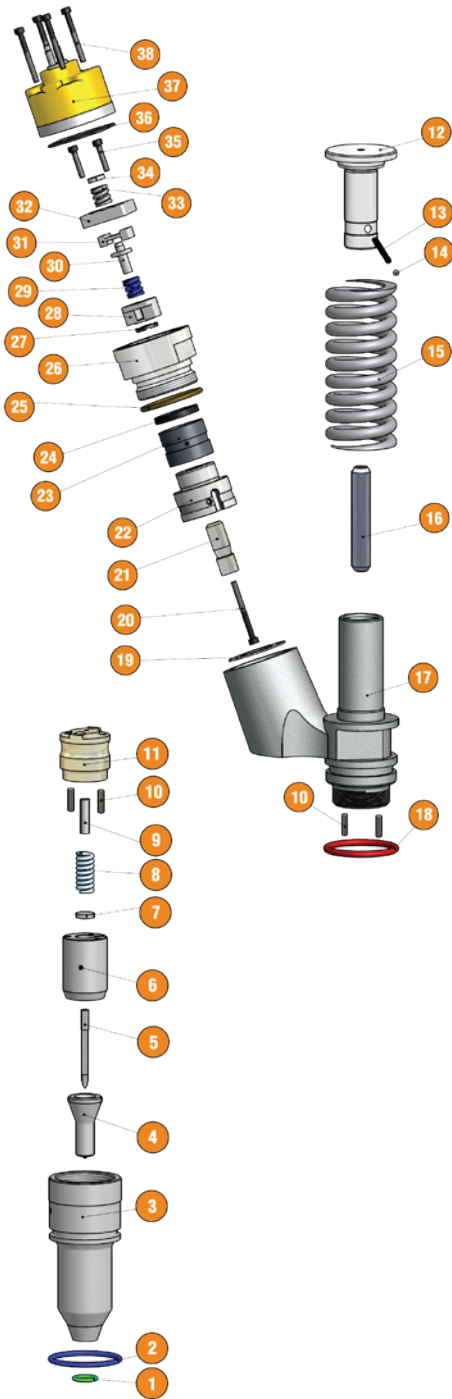
Injector Exploded View	16
Injector Components	17
Application Chart	19
Additional Cross Reference	20



For more information visit us online  
at [www.interstate-mcbee.com](http://www.interstate-mcbee.com)  
or call us at **216.881.0015**, toll free  
at **800.321.4234**.



# Caterpillar® 3406E/C-Series Injectors



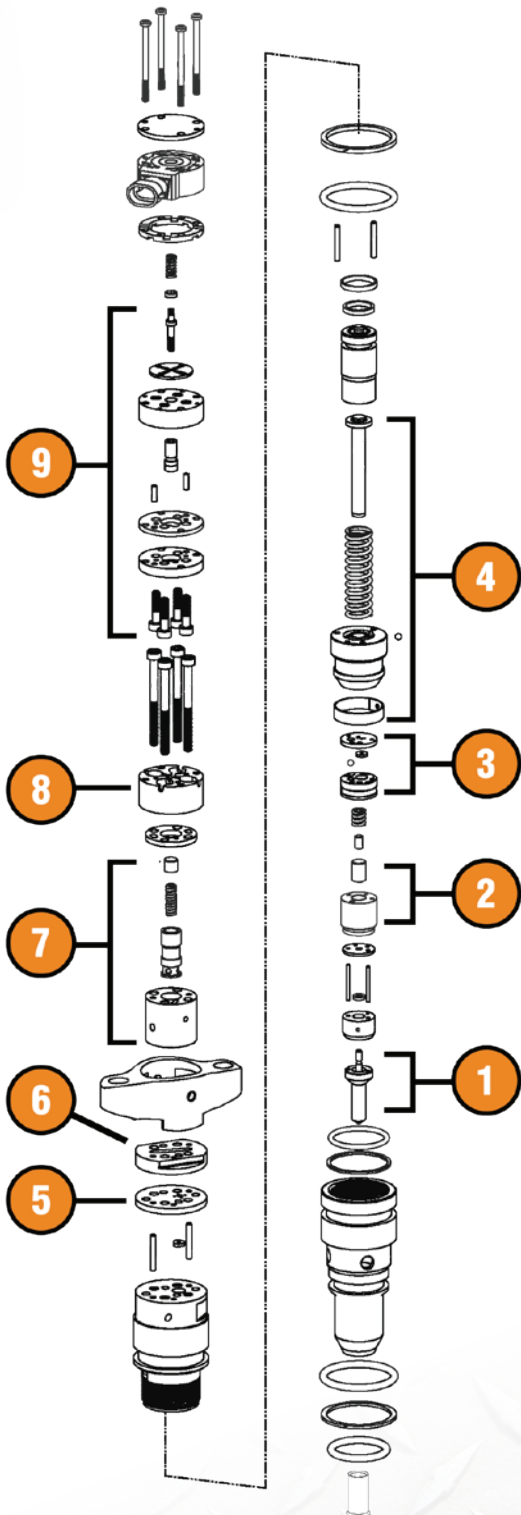
Drawing #	Item	Description
1	M-9X7317*	O-RING EXTERNAL (GREEN)
2	M-2303728*	O-RING EXTERNAL (BLUE)
3	8991013	NUT
4	8991024	SPRAY TIP
5	8991025	NEEDLE
6	8991023	CAGE
7	8991016	SEAT
8	M-1006165*	SPRING
9	8991017	STOP
10	8991015	DOWEL PIN
11	8991014	SPACER
12	8991030	FOLLOWER
13	8991038	SPRING
14	8991082*	BALL, STOP
15	8991021*	SPRING
16	8991124	PIN, BODY
17	8991158	BODY, INJECTOR
18	M-2303775*	O-RING EXTERNAL (RED)
19	8991019	CRUSH GASKET
20	8991138	M3 x .5 x 35 mm TORX HD
21	8991139	VALVE, CONTROL
22	8991140	BODY CONTROL VALVE
23	8991141	SLEEVE
24	8991142	RETAINING SPRING, SLEEVE
25	8991143	O-RING INTERNAL (BROWN)
26	8991144	HOUSING, VALVE BODY
27	8991147	SPACER, VALVE
28	8991148	HOUSING, SPRING
29	8991149	SPRING, CONTROL VALVE
30	8991150	GUIDE, SPRING
31	8991151	SPACER, ARMATURE
32	8991152	ARMATURE
33	8991153	SPRING
34	8991154	SPACER, SPRING, SOLENOID
35	8991007	M3x.5x16 mm TORX HD SCR
36	8991000*	STATOR SEAL
37	8991157	SOLENOID STATOR
38	8991006	M3x.5x30mm TORX HD SCR

Item	Description
8991004*	<b>INSTALL KIT – 3406E – SOLENOID</b>
8991005*	Seal Ring
8991000*	Seal - Solenoid
8991006*	Capscrew
8991007*	Capscrew
8991008*	Capscrew
M-10802190RK*	<b>SEAL KIT – 3408/3412</b>
M-0618561*	Seal O-Ring
M-6V5266*	Seal O-Ring
M-1079570*	Seal – Injector Sleeve
M-2N7174*	Gasket – Spark Plug Adapter
M-2481394*	<b>O-RING KIT – SINGLE INJ. 3406E/C15</b>
M-2303775*	Seal O-Ring
M-2303728*	Seal O-Ring
M9X7317*	Seal O-Ring
M-2037767*	<b>GASKET SET – 3400E</b>
M-3E6747*	Seal O-Ring
M-9X7681*	Seal O-Ring
M-22742390RK*	<b>O-RING KIT – 3406E</b>
M-1662904*	Seal O-Ring
M-9X7430*	Seal O-Ring – Inj. Tube
M-2481394*	<b>O-RING KIT EXTERNAL – 3406E/C15</b>
M-2303728*	Seal O-Ring
M-2303775*	Seal O-Ring
M-9X7317*	Seal O-Ring
MCB15017-31*	<b>NUT – NOZZLE</b>
MCB41916-31*	<b>NOZZLE – 10R2781/10R8501/10R0957</b>
MCB41918-31*	<b>NOZZLE</b>
MCB41925-32*	<b>NOZZLE - 10R9001</b>
MCB41926-31*	<b>NOZZLE – 10R2780/10R0958</b>
MCB41926-32*	<b>NOZZLE – 10R4761</b>
MCB41936-31*	<b>NOZZLE – 10R2782/10R0956</b>
MCB41936-32*	<b>NOZZLE – 10R1259</b>
MCB41946-31*	<b>NOZZLE – 10R0963</b>
MCB41976-31*	<b>NOZZLE – 10R1000/10R1273</b>
<b>C4.4/C6.6/C10/C12/C13</b>	
M-3178021RK*	<b>C4.4/C6.6 FUEL PUMP REPAIR KIT</b>
M-2245797*	<b>GASKET SET – C10 C12</b>
M-9X7317*	Seal O-Ring
M-1198784*	Seal O-Ring
M-2153198*	Seal O-Ring
MCB41946-31*	<b>NOZZLE – 10R0963 – C10/C12</b>
MCB41996-32	<b>NOZZLE ASSY – C13 – 10R2977</b>

\*Parts Available



# Caterpillar® C7/C9

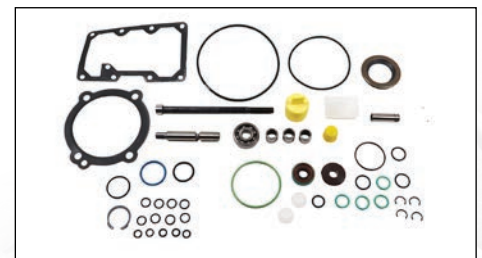


Drawing Number	Item	Description	C7	C9
1	MCB41926-32*	NOZZLE ASSY - 10R4761	•	
1	MCB41956-32*	NOZZLE ASSY - 10R4762	•	
1	MCB41976-32*	NOZZLE ASSY - 10R4763	•	
1	MCB41905-32*	NOZZLE ASSY - 10R4764-10R7222		•
1	MCB41906-32*	NOZZLE ASSY - 10R4843		•
1	MCB41915-32*	NOZZLE ASSY - 10R4844		•
1	MCB41925-32*	NOZZLE ASSY - 10R9001		•
2	MCB23250-32	OIL CONTROL ASSY - 10R4761/62/63	•	•
3	MCB11957-32*	CHECK VALVE - 10R4761/62/63	•	•
4	MCB06800-32*	P & B ASSY - 10R4761/62/63	•	•
5	MCB13701-32*	HYDRAULIC PLATE - 10R4761/62	•	
5	MCB13711-32*	HYDRAULIC PLATE - 10R4763/62	•	•
6	MCB13702-32*	HYDRAULIC PLATE - 10R4761/62	•	
6	MCB13712-32*	HYDRAULIC PLATE - 10R4763	•	•
7	MCB23940-32	VALVE - SPOOL ASSY	•	•
8	MCB13703-32*	SPOOL VENT PLATE - 10R4761/62/63	•	•
9	MCB23955-32	CONTROL VALVE ASSY	•	•

## Misc. Kits



M-2974841\* - GASKET SET - SINGLE FUEL INJ - C9



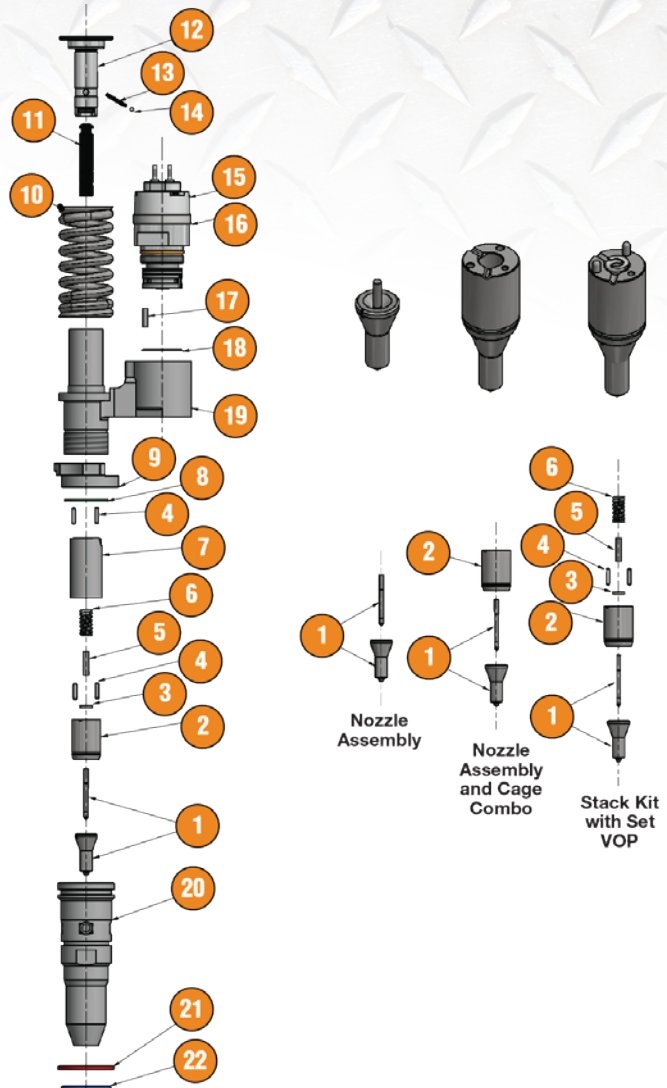
M-3190677RK\* - C7/C9 Fuel Pump Kit\*

\*Parts Available



# Caterpillar® 3500E Injectors

DRAWING NUMBER	Item	Description
1	SEE CHART	NOZZLE ASSEMBLY - 3500
2	8991238	SPRING CAGE - 3500
3	8991243	SEAT - VOP SPRING - 3500/C
4	8991283*	DOWEL PIN - STACK - 3500/C
5	8991244	STOP PIN - NEEDLE - 3500/C
6	M-1006165*	VOP SPRING - 3500/C
7	8991245	STACK SPACER - 3500
8	8991258*	SEAL - O-RING - GREEN - INTERNAL
9	8991259	RING - CLAMP - 3500
10	R-8991259	REMAN - RING - CLAMP - CAT 3500
10	8991257*	FOLLOWER SPRING - 3500
11	R-8991257	REMAN-FOLLOWER SPRING - 3500
11	8991254	PLUNGER - 3500
12	8991255	FOLLOWER - 3500
13	8991260*	SPRING - BALL STOP - 3500/C
14	8991277*	BALL STOP - 3500/C
15	8991280	ACTUATOR ASSEMBLY - EUI CAT
15	8991291	ACTUATOR ASSEMBLY-CAT 3500
16	8991278	STATOR SLEEVE - EUI ACTUATOR
17	8991252	PIN - ACTUATOR - 3500/C
17	R-8991252	REMAN - PIN - AL - SPOOL -3500/C
18	8991253	CRUSH GASKET - EUI BODY - 3500/C
19	8991295	BODY SUB ASSEMBLY - 3500
20	R-8991295	REMAN - BODY SUB ASSEMBLY - CAT 3500
20	8991241	NUT ASSEMBLY - 3500
21	M-2454908*	SEAL - O-RING - RED - EXTERNAL
22	M-2454907*	SEAL - O-RING - BLUE - EXTERNAL



Item	Description
M-2688154*	<b>O-Ring Kit - 3500</b> Seal - O-Ring External - Blue - 3500
M-2454907*	
M-2454908*	
M-1063385*	<b>Gasket Set - 3500 EUI</b> External O-Ring O-Ring Seal
M-9X7735*	
M-1949584*	



New	Reman.	Nozzle Assy.	Nozzle Assy. Cage Combo	Stack Kit w/ Set VOP
3920211	20R0849	8991235	8991339	8991286
3861752	20R1264	8991333	8991342	8991310
3920222	20R1282	8991338	8991347	8991356
3861766	20R1275	8991336	8991345	8991354
3861769	20R1278	8991337	8991346	8991355
3861758	20R1270	8991334	8991343	8991352
3920223	20R0864	8991332	8991341	8991350
3861760	20R1272	8991335	8991344	8991353
3920219	20R1280	8991331	8991418	8991348
3920213	20R0850	8991392	8991340	8991374
3920215	20R1276	8991393	8991408	8991375
3920205	20R1269	8991394	8991409	8991381
3920224	20R1283	8991395	8991410	8991382
3920220	20R1281	8991396	8991411	8991383
3920202	20R1266	8991397	8991414	8991384
3920216	20R1277	8991403	8991415	8991404
3920221	20R0863	8991401	8991416	8991400

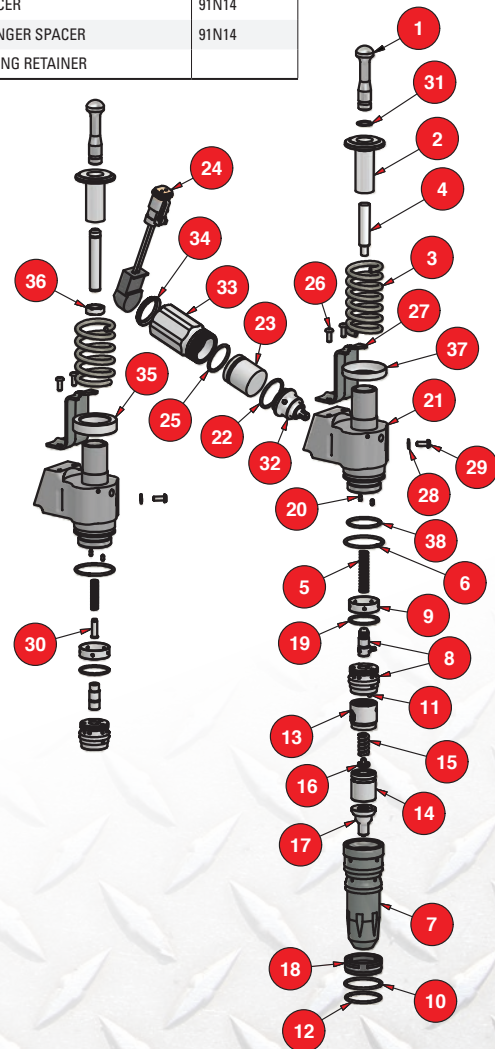
\*Parts Available



# Cummins® Celect® Injector Components

DRAWING NUMBER	Item	Description	Note
1	M-3078226	INJECTOR PLUNGER LINK	91N14 & UP
1	M-3072484	INJECTOR PLUNGER LINK	
1	M-3072485	INJECTOR PLUNGER LINK	91N14
2	M-3073505	PLUNGER COUPLING	
2	M-3083863*	PLUNGER COUPLING	91N14 & UP
2	M-3081342	PLUNGER COUPLING	91N14
3	M-3078236*	PLUNGER COUPLING SPRING	
3	M-3411340*	PLUNGER COUPLING SPRING	91N14 & UP
3	7991021*	PLUNGER COUPLING SPRING	91N14
4	M-3087552	UPPER PLUNGER - MALE	91N14 & UP
4	7991022	UPPER PLUNGER - FEMALE	91N14
4	M-7991033	UPPER PLUNGER - MALE	
5	M-3081388*	UPPER PLUNGER SPING - MALE	91N14 & UP
5	M-3081371*	UPPER PLUNGER SPING - FEMALE	91N14
6	M-3070136*	O-RING SEAL TOP	Red
7	M-3070184	CUP RETAINER	For R-3652541
7	M-3073244	CUP RETAINER	
7	M-3074219	CUP RETAINER	
8	M-3411711*	PLUNGER AND BARREL - MALE	91N14 & UP
8	M-3072450*	PLUNGER AND BARREL - FEMALE	91N14
9	M-3070113	INJECTOR SLEEVE	
10	M-3070137*	O-RING SEAL MIDDLE	White
11	M-3076068*	BALL CHECK	
12	M-3070138*	O-RING SEAL BOTTOM	Blue
13	M-3072823	SPRING HOUSING SPACER ASSY	
	M-3072819	Spring Housing Spacer	
	M-3072822	Socket Set Screw	
	M-3072820*	Spring	
	M-3072821	Spring Guide	
14	M-3066736*	VALVE SPRING HOUSING	
15	M-3066738*	VALVE SPRING	
16	M-3067426*	VALVE SPRING RETAINER	
16	M-3067426-1*	VALVE SPRING RETAINER	Oversize .003"
16	M-3067426-1*	VALVE SPRING RETAINER	Undersize .003"
17	SPRAY TIP	See chart on next page	
18	M-3071967*	FILTER SCREEN	
19	M-3068959*	BARREL O-RING	
20	7991016	GROOVE PIN (2 per)	91N14 & UP
21	7991019	INJECTOR BODY	91N14
21	7991025	INJECTOR BODY	
21	7991033	INJECTOR BODY	
22	M-3034408*	CONTROL VALVE O-RING	

DRAWING NUMBER	Item	Description	Note
23	M-3811021	SOLENOID	
24	M-3076256*	WIRING HARNESS	
25	M-3075658*	SOLENOID O-RING	
26	M-3075613*	SOCKET HEAD CAP SCREW (2 per)	
26	M-3080702	SOCKET HEAD CAP SCREW (2 per)	
26	M-3083872*	SOCKET HEAD CAP SCREW (2 per)	
27	M-3080701	COUPLING RETAINER	
27	M-3080766	COUPLING RETAINER	
27	M-3083871	COUPLING RETAINER	
28	7991341	SEALING WASHER	
29	M-3075613*	SOCKET HEAD CAP SCREW	
30	7991066	PLUNGER SPRING GUIDE	
31	M-3072486	LINK RETAINER	
32	Not Available	CONTROL VALVE ASSEMBLY	
33	7991089	SOLENOID NUT	
34	7991091*	RETAINING RING	
35	M-3080767	SPACER	91N14
36	7991026	PLUNGER SPACER	91N14
37	M-3411775*	SPRING RETAINER	



NOTE: Indented Items are included in kit or set above.

## Cummins® Injector Kits

Item	Contains Reference Number in Drawing
MCBN14INJ*	6, 10, 12
MCB26124*	6, 10, 12, 18
MCB26104*	6, 10, 12, 19, 22, 26, 28, 29
MCB26105*	6, 10, 12, 19, 22, 25, 26, 28
MCB26129*	5, 6, 10, 12, 11, 15, 18, 19, 22, 25, 26, 28, 29
MCB3060001*	5, 6, 10, 12, 11, 15, 16, 18, 19, 22, 24, 25, 26, 28, 29

\*Parts Available



## Cummins® CELECT® Spray Tips & Reman Injectors

DRAWING NUMBER	Injector Part #	Spray Tip Part #	Type
17	R-3070739	M-3076071*	N14 - CELECT1
17	R-3071534	M-3076072*	L10
17	R-3073029	M-3076072*	L10
17	R-3073995	NA	N14 - CELECT1
17	R-3081314	M-3076071*	N14 - CELECT1
17	R-3081315	M-3076071*	N14 - CELECT1
17	R-3081317	M-3076072*	L10
17	R-3081318	M-3079963*	L10
17	R-3081319	NA	L10
17	R-3084589	NA	CELECT2
17	R-3087557*	M-3084592*	M11 - CELECT2
17	R-3087560*	M-3609861*	N14
17	R-3081752	NA	CELECT2
17	R-3083846	NA	CELECT3
17	R-3083848	NA	CELECT3
17	R-3085086	NA	CELECT3
17	R-3086662	NA	CELECT3
17	R-3087556	NA	CELECT3
17	R-3087558	NA	CELECT3
17	R-3087560	NA	CELECT3
17	R-3087772	NA	CELECT2
17	R-3087788	NA	CELECT3
17	R-3087807	NA	CELECT3
17	R-3088178	NA	CELECT3
17	R-3095040	NA	CELECT2
17	R-3166395	NA	CELECT2
17	R-3409975	NA	CELECT3
17	R-3411381	NA	CELECT3

DRAWING NUMBER	Injector Part #	Spray Tip Part #	Type
17	R-3411385	NA	CELECT3
17	R-3411691	NA	CELECT3
17	R-3411752*	M-3084592*	M11 - CELECT2
17	R-3411753*	M-3095043*	M11 - CELECT2
17	R-3411754*	M-3095729*	M11 - CELECT2
17	R-3411755	M-3095734*	M11 - CELECT2
17	R-3411756*	M-3609925*	M11 - CELECT2
17	R-3411757	NA	CELECT3
17	R-3411758*	M-3411404*	M11 - CELECT2
17	R-3411759	M-3609861*	N14 - CELECT3
17	R-3411760*	M-3609855*	N14 - CELECT3
17	R-3411761*	M-3609852*	N14 - CELECT3
17	R-3411762	M-3409978*	N14 - CELECT3
17	R-3411763*	M-3087791*	N14 - CELECT3
17	R-3411764*	M-3088175*	N14 - CELECT3
17	R-3411765*	M-3411690*	N14 - CELECT3
17	R-3411766*	M-3411694*	N14 - CELECT3
17	R-3411767*	M-3411388*	N14 - CELECT3
17	R-3609922	NA	CELECT2
17	R-3609796	NA	CELECT3
17	R-3652516	M-3076072*	L10
17	R-3652540	M-3079963*	L10
17	R-3652541*	M-3076071*	N14 - CELECT1
17	R-3652542*	M-3076071*	N14 - CELECT1
17	R-4026222*	NA	M11 - CELECT2
17	R-4061851	M-4061854*	M11 - CELECT2
17	R-4902921	M-4902924*	N14 - CELECT3
17	R-4902925	M-4902928*	N14 - CELECT3

**C-CELECT1 WIDE  
(3/8") SPACER**

**C-CELECT2  
NO SPACER**

**C-CELECT3 NARROW  
(1/4") SPACER**



\*Parts Available





# Cummins® EUI Kits & Components

Item	Description
M-3803477*	<b>CELECT SEAL KIT – FRONT DRIVE SHAFT</b>
M-3803478*	<b>CELECT FUEL PUMP OVERHAUL SEAL KIT</b>
M-3021123*	Seal O-Ring
M-3034412*	Seal O-Ring
M-3037537*	Seal O-Ring Turbo Oil Inlt
M-3056415*	Seal O-Ring
M-3080837*	Gasket – Front Cover Fuel Pump
M-3803477*	Kit – Seal – Front Drive Shaft
M-100099*	Seal O-Ring
M-110855*	Gasket
M-129888*	Seal – Square Cut Shutdown Valve
M-139988*	Seal
M-146483*	Screen
M-151900*	Seal O-Ring
M-160514*	Washer – Fuel Pump Damper
M-213079*	Ring – Seal
M-202897*	Diaphragm
M-4026171*	Gasket – Fuel Pump
MCB26104*	<b>CELECT INJECTOR REPAIR KIT N14</b>
M-3070136*	Seal – O-Ring Injector Top
M-3070137*	Seal – O-Ring Injector Middle
M-3070138*	Seal – O-Ring Injector Bottom
M-3075613*	Screw
M-3080421*	Washer
M-3068959*	Seal – O-Ring
M-3034408*	Seal – O-Ring
MCB26105*	<b>CELECT INJECTOR REPAIR KIT L10/M11</b>
M-3075658*	Seal – O-Ring CELECT
M-3070136*	Seal – O-Ring Injector Top
M-3070137*	Seal – O-Ring Injector Middle
M-3070138*	Seal – O-Ring Injector Bottom
M-3075613*	Screw
M-3080421*	Washer
M-3068959*	Seal – O-Ring
M-3034408*	Seal – O-Ring
MCB26124*	<b>CELECT INSTALLATION SEAL KIT</b>
M-3070136*	Seal – O-Ring Injector Top
M-3070137*	Seal – O-Ring Injector Middle
M-3070138*	Seal – O-Ring Injector Bottom
M-3071967*	Screen – Filter CELECT Inj
MCB26125*	<b>KIT - INJECTOR</b>
M-3070136*	Seal O-Ring Injector TOP
M-3070137*	Seal O-Ring Injector MID
M-3070138*	Seal O-Ring Injector BTM
M-3071967*	Screen - Filter Celect Injector
M-3075658*	Seal O-Ring Celect
M-3034408*	Seal O-Ring Celect
M-3068959*	Seal O-Ring
MCB26129*	<b>CELECT INJECTOR REPAIR KIT</b>
M-3075613*	Screw
M-3080421*	Washer
M-3075658*	Seal – O-Ring CELECT
M-3034408*	Seal – O-Ring
M-3070136*	Seal – O-Ring Injector Top
M-3070137*	Seal – O-Ring Injector Middle
M-3070138*	Seal – O-Ring Injector Bottom
M-3071967*	Screen – Filter CELECT Inj
M-3076068*	Ball-check – CELECT
M-3080811*	Screw – Socket Head Cap
M-3068959*	Seal – O-Ring
M-3066738*	Spring – CELECT
M-3081388*	Spring – Injector
M-3081371*	Spring
MCB26129G*	<b>KIT REPAIR - CELECT INJECTOR</b>
MCB6129 PLUS: M-3067426*	Retainer – Injector Celect
7991137*	Seal O-Ring Solenoid Celect
M-3076256*	<b>WIRING HARNESS - CELECT</b>

Item	Description
M-3824010*	<b>CONNECTOR – ELECTRICAL</b>
M-3991167*	<b>SOLENOID – FUEL PUMP</b>
M-4916741*	<b>SEAL – O-RING – SMALL DIA.</b>
M-4916742*	<b>SEAL – O-RING – LARGE DIA.</b>
M-4928174*	<b>SPRAY TIP</b>
MCB3060001*	<b>CELECT INJECTOR REPAIR KIT</b>
M-3075658*	Seal – O-Ring CELECT
M-3081371*	Spring
M-3067426*	Retainer – Injector
M-3081388*	Spring – Injector
M-3066738*	Spring – CELECT
M-3076256*	Harness – Wiring
M-3070136*	Seal – O-Ring Injector Top
M-3070137*	Seal – O-Ring Injector Middle
M-3070138*	Seal – O-Ring Injector Bottom
M-3080421*	Washer
M-3075613*	Screw
M-3068959*	Seal – O-Ring
M-3034408*	Seal – O-Ring
M-3071967*	Screen – Filter Celect Injector
7991137*	Seal O-Ring Solenoid Celect
M-3076068*	Ball-Check – CELECT
MCBM111NJ*	<b>KIT - INJECTOR O-RING</b>
M-3070136*	Seal O-Ring Injector TOP
M-3070137*	Seal O-Ring Injector MID
M-3070138*	Seal O-Ring Injector BTM
MCBN141NJ*	<b>KIT - INJECTOR O-RING</b>
M-3070136*	Seal O-Ring Injector TOP
M-3070137*	Seal O-Ring Injector MID
M-3070138*	Seal O-Ring Injector BTM

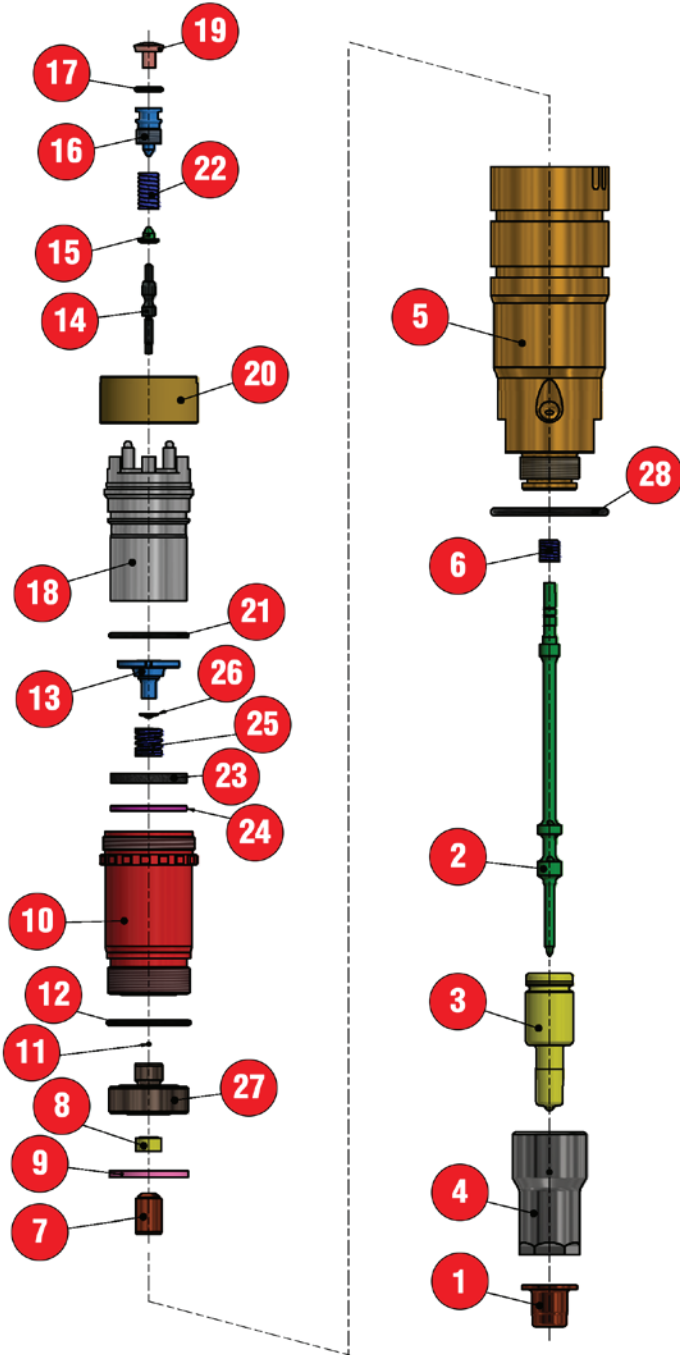
## Cummins® CELECT® Fuel Pump

M-3803478*	<b>OVERHAUL SEAL KIT - FUEL PUMP</b>
M-202897*	Diaphragm
M-213079*	Seal Ring
M-3021123*	Seal - O-Ring
M-3034412*	Seal - O-Ring
M-3037537*	Seal - O-Ring - Turbo Oil Inlt
M-3056415*	Seal - O-Ring
M-3080837*	Gasket - Front Cover Fuel Pump
M-3803477*	Seal Kit - Fr Drive Shaft
M-100099*	Seal - O-Ring
M-4026171*	Gasket - Fuel Pump
M-110855*	Gasket - Fuel Pump
M-129888*	Seal - Square Cut
M-139988*	Seal
M-146483*	Screen
M-151900*	Seal - O-Ring
M-160514*	Washer - Fuel Pump Damper
M-3803478P*	<b>OVERHAUL KIT - FUEL PUMP</b>
M-100099*	Seal - O-Ring
M-129888*	Seal - Square Cut
M-139988*	Seal
M-146483*	Screen
M-151900*	Seal - O-Ring
M-160514*	Washer - Fuel Pump Damper
M-202897*	Diaphragm
M-213079*	Seal Ring
M-3021123*	Seal - O-Ring
M-3034412*	Seal - O-Ring
M-3037537*	Seal - O-Ring - Turbo Oil Inlt
M-3056415*	Seal - O-Ring
M-3080837*	Gasket - Front Cover Fuel Pump
M-4026171*	Gasket - Fuel Pump
M-110855*	Gasket - Fuel Pump

\*Parts Available



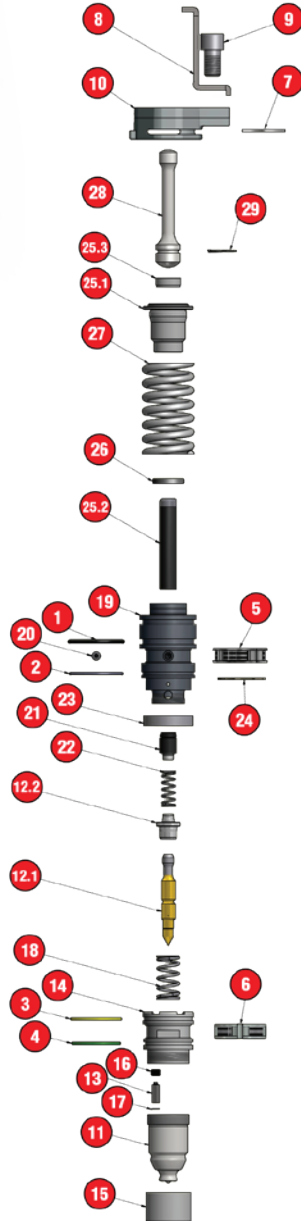
# Cummins® ISX - XPI



Drawing Number	Part No.	Description
1	M-2872717*	INJECTOR SEAL - COPPER - XPI
2	M-2894984	NOZZLE PLUNGER - XPI
3	M-2872086	NOZZLE BODY - XPI
4	M-4955080	RETAINER - NOZZLE BODY - XPI
5	M-4984369	INJECTOR BODY - XPI
6	M-4921807	COMPRESSION SPRING - XPI
7	M-4903687	SLEEVE-PLUNGER - XPI
8	M-4359592	PLUNGER SEAL - XPI
9	M-4928212	SHIM - NOZZLE SPRING - XPI
10	M-2872333	SEAT RETAINER - XPI
11	M-4307207	BALL VALVE - HIGH IMPACT - XPI
12	M-4088175	O-RING SEAL-SEAT RETAINER - XPI
13	M-4307198	ARMATURE - XPI
14	M-4984663	ARMATURE PLUNGER - XPI
15	M-4954408	SPRING RETAINER - XPI
16	M-4903590	SCREW - PRELOAD ADJUSTING XPI
17	M-3867480*	O-RING SEAL - INTERNAL - XPI
18	M-2897302	SOLENOID STATOR - XPI
19	7991339	SEALANT - TAMPER RESISTANT
20	M-4954476	CONTROL VALVE RETAINER - XPI
21	M-4928163*	O-RING SEAL - XPI
22	M-4954709	COMPRESSION SPRING - XPI
23	M-4928472	SHIM - ARMATURE LIFT - XPI
24	M-4928277	DISK SPRING - XPI
25	M-4954985	COMPRESSION SPRING-ARMATURE - XPI
26	M-2872318	CHECK BALL RETAINER - XPI
27	M-4984803	SEAT - SOLENOID VALVE
28	M-3347939*	SEAL - O-RING - BLACK - HPI ISX



# Cummins® ISX/QSK - HPI



DRAWING NUMBER	Item	Description
1	M-3347939*	SEAL,O-RING,BLACK,HPI ISX
2	M-3330537*	SEAL,O-RING,PURPLE,HPI ISX
3	M-3330538*	SEAL,O-RING,YELLOW,HPI ISX
4	M-3347937*	SEAL,O-RING,GREEN,HPI ISX
5	M-4009692*	SCREEN,FILTER,UPPER,HPI ISX
6	M-3087316*	SCREEN,FILTER,LOWER,HPI ISX
7	M-4954650	RETAINING CLIP,HPI ISX
8	7991154	FOL RETAINER,HPI ISX
9	7991161	SCREW,RETAINER,HPI ISX
10	7991162	RING,LOAD DIST,HPI ISX
11	M-4088662	NOZZLE BODY,W/ PLUGS,HPI ISX
12	M-3347834	NEEDLE ASSY,HPI ISX
12.1	M-3330552	NEEDLE,HPI ISX
12.2	M-4903209	SPRING SEAT,NEEDLE,HPI ISX
13	M-4076981	CHECK VALVE,HPI ISX
14	M-3347808	SPRING CAGE,HPI ISX
15	M-3330606	NOZZLE NUT,HPI ISX
16	M-3329685	CHKV RETAINER,HPI ISX
17	M-4984294	GASKET,STEEL,CHKV,HPI ISX
18	M-3867317*	NEEDLE SPRING,HPI ISX
19	M-4088723	BODY,HPI ISX
20	M-4903142	ORIFICE,HPI ISX
21	M-4954484	TIMING PLUNGER,HPI ISX
22	M-3331078*	TIMING SPRING,HPI ISX
23	M-4061685	SPILL SLEEVE,HPI ISX
24	M-3329904	CLIP,SLEEVE,HPI ISX
25	7991293	PLUNGER ASSY,HPI ISX
25.1	M-4954655	COUPLING,HPI ISX
25.2	M-4954482	UPPER PLUNGER,HPI ISX
25.3	M-4088815	COUPLING SOCKET,HPI ISX
26	M-4062452*	LIP SEAL,HPI ISX
27	M-3417141*	COUPLING SPRING,HPI ISX
28	M-3330607	LINK,HPI ISX
29	M-3867742	RETAINING CLIP,LINK,HPI ISX

## Cummins® ISX/QSK Injector Parts

Item	Description
<b>M-4025062*</b>	<b>Injector Kit – ISX</b>
M-3330537*	Seal O-Ring
M-3330538*	Seal O-Ring
M-3347937*	Seal O-Ring
M-3347939*	Seal O-Ring Injector
<b>M-4025063*</b>	<b>Seal Kit</b>
M-3348515*	Spiral Pin
M-4025062*	Injector O-Ring Kit – ISX
4025063SEAL*	Seal
<b>M-4025063OH*</b>	<b>Repair Kit</b>
M-3087316*	Filter Screen - Lower - HPI
M-3348515*	Spiral Pin
M-4009692*	Filter Screen - Upper - HPI ISX
M-4025062*	O-Ring – ISX
4025063SEAL*	Seal
<b>M-4025063-OHS*</b>	<b>Repair Kit - ISX with springs</b>
M-4025063-OH*	Repair Kit
M-3331078*	Timing Spring - HPI ISX
M-3867317*	Spring - HPI ISX
MCBISXINJ*	supersceded by M-4025062 above
<b>MCBISXINJ-1*</b>	<b>Kit Seal - Inector</b>
M-4025062*	Kit - Injector O-Ring ISX
M-3087316*	Screen, Filter
M-4009692*	Screen, Filter ISX
<b>MCBISXINJ-2*</b>	<b>Kit - Injector O-Ring</b>
M-2872717*	Seal Injector
M-3347939*	Seal O-Ring Injector
<b>MCBQSKINJ*</b>	<b>Injector Kit</b>
M-3347937*	O-Ring Seal – Green – HPI
M-3347939*	O-Ring Seal – HPI/XPI
M-3348004*	Filter Screen
M-3867651*	Seal – O-Ring
M-4009692*	Filter Screen – Upper – HPI
M-4010577*	Seal – O-Ring
M-4307148*	Seal – Injector
<b>MCBQSK0019*</b>	<b>Seal Kit – Injector Installation</b>
M-3102651	Screw – Hex Flange
M-3331089*	Seal – O-Ring
M-4916741*	Seal – O-Ring – Small Dia
M-4916742*	Seal – O-Ring – Large Dia
M-4918072*	Seal – Injector
<b>MCBQSK-OH</b>	<b>Repair Kit - QSK HPI Injector</b>
M-3347828	Spring
M-3347939	O-ring
M-3348004	Filter
M-3348515	Pin
M-3348527	Spring
M-3867651	Seal
M-4002127	Pin (2 pcs.)
M-4009692	Filter
M-4010577	Seal
M-4307148	Seal
M-5440257	O-ring



### Nozzle Assemblies

Nozzle	Injector #	Nozzle Assy.
ISX HPI	R-4062567	7992567
	R-4062568	7992568
	R-4062569	4088652
	R-4088301	7998301
	R-4088327	7998327
	R-4088665	7998665
	R-4954434	7994434
	R-4954888	7994888
QSK	M-4326780*	M-4326788*
	M-4326781*	



## Cummins® ISX/QSK Pump Repair Kits

Part No.	Quantity	Description
<b>M-4089431RK*</b>	1	<b>ISX KIT - FUEL PUMP</b>
M-3803477*	1	KIT - SEAL - FR DRIVE SHAFT
M-2872195*	1	GASKET - FUEL TRANSFER PUMP
M-4954473*	1	GASKET - FUEL PUMP
M-4954474*	1	GASKET - FUEL PUMP
M-3867481*	1	SEAL - O-RING - PUMP
M-4088799*	1	SHAFT - HEX DRIVE, FUEL PUMP
7991280*	1	DRIVE SHAFT W/O GEAR
M-3678912*	1	SEAL - O-RING
M-3627695*	1	SEAL - O-RING
M-3678786*	1	SEAL - O-RING
M-3348618*	2	SEAL - DIAMOND RING
7991276*	2	SEAL - DIAMOND RING
<b>M-4089431RKS*</b>	1	<b>ISX KIT - SEAL - FR DRIVE SHAFT</b>
M-4089431RK*	1	KIT - FUEL PUMP
M-100099*	1	SEAL - O-RING
M-160514*	1	WASHER - FUEL PUMP DAMPER
M-139988*	1	SEAL
M-151900*	1	SEAL - O-RING
M-202897*	1	DIAPHRAGM
<b>MCB4001717KT*</b>	1	<b>QSK KIT - GEAR PUMP</b>
M-4001717*	1	SHAFT
M-3803477*	1	SEAL KIT
M-3348618*	2	SEAL - DIAMOND RING
M-3033724*	4	BUSHING
7991276*	2	SEAL - DIAMOND RING
<b>M-4954471*</b>	1	<b>GASKET - FUEL PUMP</b>



**M-4089431RKS\*** Fuel Pump Repair Kit

This Kit Repairs:  
3348700  
3348701  
4076574  
4076596  
4024766  
4088848  
4089431



**MCB4001717KT\*** - Gear Pump Repair Kit

This Kit Repairs:  
Gear Pump 3348498  
for the 4009905 Fuel Pump



**M-4954471-** Gasket - Fuel Pump\*

## Cummins® Common Rail Components

Item	Description
M-1208775*	CP-3 PUMP KIT
M-1208862*	SPRING
M-1208869*	BALL
M-1209126*	SPRING
M-1209134*	SPRING
M-1209200*	SEAL
M-1209428*	KIT
M-1209488*	DOWEL PIN
M-1209489*	BOLT
M-1210605*	SEAL
M-DSLA158P974*	NOZZLE
M-DSLA124P5500*	NOZZLE - 505 INJECTOR
M-DSLA143P5499*	NOZZLE - 503 INJECTOR
M-DSLA158P974*	NOZZLE
R-5256034*	REMAN INJECTOR - ISB - CR
M-2872717*	INJECTOR SEAL - ISX-XPI - COPPER
M-3937142*	INJECTOR SEAL - MID RANGE XPI
M-4921732*	PUMP TAPPET ROLLER ASSY. - ISC/ISL

Item	Description
<b>M-4307482KT *</b>	<b>XPI PUMP KIT</b>
M-2872513 *	GASKET
M-2872663 *	GASKET
M-3686758 *	GASKET
<b>MCBXPI *</b>	<b>XPI PUMP KIT</b>
M-3347939*	O-RING SEAL - BLACK - HPI/XPI
M-3867480*	O-RING SEAL - INTERNAL - XPI
M-4088175*	O-RING SEAL - SEAT RETAINER - XPI
M-4928163*	O-RING SEAL - XPI
M-4984152*	SEAL - O-RING



**M-1208775 CP-3 Fuel Pump Kit\***

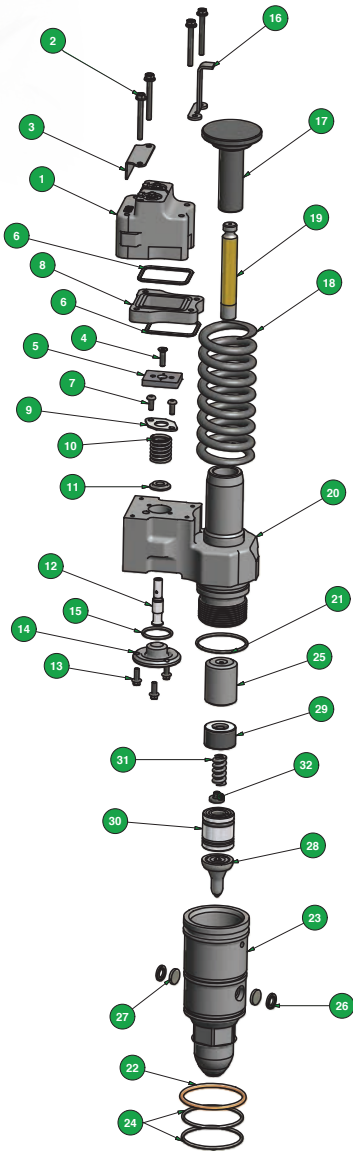


**M-4307482KT - XPI Pump Kit\***

\*Parts Available



# Detroit Diesel® Series 60 Components



Drawing Number	Part No.	Description
1	4991685	SOLENOID (WITHOUT GROOVE)
2	A-5235586*	SCREW, SOLENOID ASSY (4 REQUIRED PER INJECTOR)
3	4991452*	LOAD PLATE
4	4991454*	FLAT HEAD SCREW
5	4991453	ARMATURE - CALL WITH SIZES
6	A-5234224*	SPACER SEAL, SOLENOID
7	4991455*	PAN HEAD SCREW
8	4991456	SPACER SOLENOID - CALL WITH SIZES
9	4991457*	RETAINER, SPRING
10	4991458*	SPRING, CONTROL VALVE
11	4991469*	SEAT, CONTROL VALVE SPRING
12	4991459*	CONTROL VALVE - CALL WITH SIZES
13	4991470*	HEX HEAD SCREW
14	4991460*	VALVE STOP - CALL WITH SIZES
15	4551539	O-RING, INTERNAL
16	4991450*	RETAINER, FOLLOWER (OLD STYLE)
16	4991598*	RETAINER, FOLLOWER (NEW STYLE)
17	4991444*	FOLLOWER
18	4991597*	SPRING, FOLLOWER (NEW STYLE)
19	4991446	PLUNGER
20	4991471	BODY ASSEMBLY
21	A-5234701*	O-RING, INTERNAL
22	A-5234702*	O-RING, EXTERNAL
23	4991636*	NUT ASSEMBLY (FILTERS INSTALLED)
24	A-5234699*	O-RING, EXTERNAL
25	4991462*	SPACER
26	4991448*	FILTER RETAINER (2 REQ. PER INJECTOR)
27	4991449*	FILTER RETAINER (2 REQ. PER INJECTOR)
28		SPRAY TIP - SEE CHART ON RIGHT
29	4991463*	CHECK VALVE CAGE
30	4991465*	VALVE SPRING CAGE
31	4991464*	VALVE SPRING
32	4991466*	VALVE SPRING SEAT

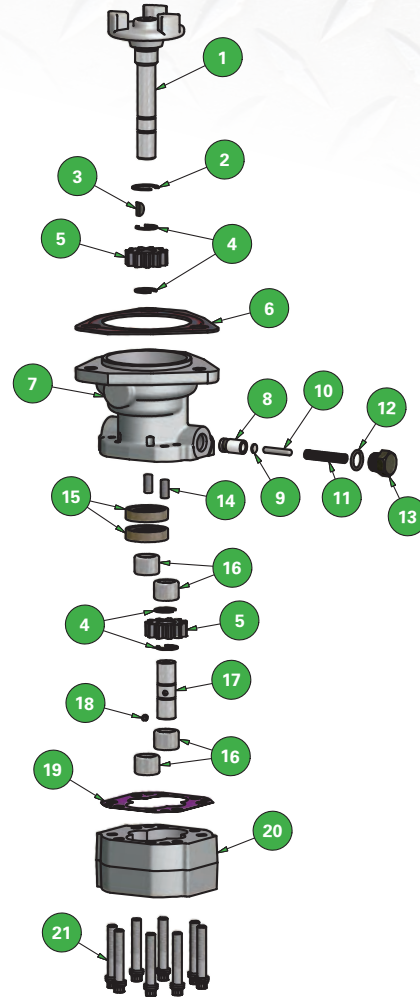
Drawing Number	Injector Part #	Spray Tip Part #	Number of Holes
28	R-5234785*	4991753-C2A*	9
28	R-5234795*	4991754-D5*	9
28	R-5234865*	4991753-C1A*	9
28	R-5234870*	4991753-C2*	9
28	R-5234935*	4991753-C1*	9
28	R-5234940*	4991753-C3*	9
28	R-5234945*	4991754-D4*	9
28	R-5234970*	4991754-D3*	9
28	R-5235550*	4991752-B3*	8
28	R-5235575*	4991752-B5*	8
28	R-5235580*	4991751-A1*	8
28	R-5235600*	4991754-D2*	9
28	R-5235605*	4991753-C1*	9
28	R-5235695*	4991754-D3*	9
28	R-5235915*	4991752-B6*	8
28	R-5236347*	4991752-B4*	8
28	R-5236977*	4991752-B3*	8
28	R-5236978*	4991751-A1*	8
28	R-5236980*	4991752-B4*	8
28	R-5236981*	4991752-B1*	8
28	R-5237014*	4991754-D2*	9
28	R-5237042*	4991751-A2*	8
28	R-5237045*	4991752-B4*	8
28	R-5237099*	4991752-B2*	8
28	R-5237315*	4991748-E3*	9
28	R-5237320*	4991754-D2*	9
28	R-5237466*	4991752-B5*	8
28	R-5237473*	4991748-E5*	9
28	R-5237635*	4991753-C2*	9
28	R-5237650*	4991754-D1*	9
28	R-5237787*	4991753-C1*	9
28	R-5237820*	4991753-C1A*	9
28	R-5237821*	4991753-C1A*	9



# Detroit Diesel® Fuel Pump Components

Item	Description
A-23532981*	PUMP-FUEL S60 LATE STYLE
R-23517845*	PUMP-FUEL REMAN S60 LATE STYLE
23536661	PUMP-FUEL S60

Drawing Number	Item	Description	Quantity Required
1	A-23532977*	SHAFT & HUB ASSEMBLY	1
2	Not Available	RETAINER RING (large)	1
3	4992018*	KEY	1
4	A-8923522*	SNAP RING	4
5	A-23506546*	GEAR	2
6	A-23505248*	GASKET, BODY	1
7	4991793*	BODY, PUMP	1
8	A-23506563*	KIT - CHECK VALVE	
	A-8923528*	VALVE, RELIEF	1
9	A-23506560*	SPACER	1
10	A-23506564*	PIN	1
11	A-23506557*	SPRING, RELIEF VALVE	1
12	A-23506556*	SEAL	1
13	A-23506555*	CAP, RELIEF VALVE	1
14	A-23500694*	ALIGNMENT PIN	2
15	A-23512243*	OIL SEAL	2
16	A-8923526*	NEEDLE BEARING	4
17	A-23506549*	SHAFT, DRIVEN	1
18	A-8923521*	PIN-GEAR	1
19	A-23516117*	GASKET, COVER	1
20	4991794*	COVER, PUMP	1
21	A-23506551	SCREW w/LOCK WASHER	8



### NOT PICTURED

Item	Description	Quantity Required
R-23535540	PUMP - FUEL S60 - 14L	1
R-23536661	PUMP - FUEL S60 - 14L	1

**NOTE:** R-23537686 was superseded by R-23517845

An improved fuel pump replaced the former fuel pump, effective with July 1995 engine production. The improved and former pumps are similar, except that the improved pump has a one-piece drive shaft and hub assembly. The former pump has a separate drive shaft and drive hub. Former and improved pump assemblies are completely interchangeable. However, components of former and improved pump assemblies are not interchangeable.

The current fuel pump system consists of the following components:

- Barnes positive displacement type fuel pump with one-piece drive shaft and hub assembly
- Gear train mounting adaptor

\*Parts Available

Item	Description
A-23517845RK*	S60 FUEL PUMP REPAIR KIT
A-8923526*	Bearing - Fuel Pump S60
A-8923521*	Pin - Gear Drive S60
A-8923522*	Ring - Gear Retainer S60
A-23516117*	Gasket - Fuel Pump
A-23516118*	Gasket - Fuel Pump S60
4991612*	Gasket - Fuel Pump - Red
4991613*	Gasket - Fuel Pump - Green
A-23505249*	Coupling - Shock
A-23512243*	Seal - Fuel Pump Oil
A-23505248*	Gasket - Fuel Pump
A-23506557*	Spring - Relief Valve Fuel Pump
A-23517845RK-S*	REPAIR KIT, FUEL PUMP S60 W/SHAFT
Same as A-23517845RK	
PLUS:	
A-23532977*	Shaft & Hub Assy S60
A-23517845RK-SG*	REPAIR KIT, FUEL PUMP S60 W/SHAFT & GEARS
Same as A-23517845RK-S	
PLUS:	
4991816*	Gear - Fuel Pump Drive
A-23517845OH*	Overhaul Kit - Fuel Pump - S60
Same as A-23517845RK-SG	Repair Kit, Fuel Pump S60 w. Shaft/Gears
PLUS:	Kit - Fuel Pump Check Valve
A-23506563*	



# Detroit Diesel® EUI Components

Item	Description
4991722*	WASHER,INJECTOR,S60,N3(GRAY)
A-23511870*	GASKET - LOWER AUX INJ SEAL
A-23513605	HARNES - INJECTOR CONTROL
A-23528939*	FOLLOWER, SPRING, RETAINER KIT
4991597*	Spring - Follower S60 (New Style)
4991598*	Retainer - Follower S60 (New Style)
A-5235586*	Screw - Solenoid Assembly S60
A-23535699*	WASHER - INJ HOLD DOWN - CLAMP
A-23535700*	EXTERNAL INJECTOR SEAL KIT
A-5234702*	O-Ring - Injector External
A-23535699*	Washer - Injector Hold Down Clamp
4991720*	O-Ring, Injector, S60 Blue
4991721*	O-Ring, Injector, S60 Purple
4991722*	Washer, Injector, S60, Gray
A-23535778*	WASHER,INJ HOLD DOWN-CLAMP,S60
A-23537111*	KIT - EXTERNAL SEAL KIT - S60 N3
A-5234702*	O-Ring - Injector External
4991720*	O-Ring - Injector
4991721*	O-Ring - Injector
4991722*	Washer, Injector
A-8929393*	Bolt
A-23535699*	Washer - Injector Hold Down Clamp
A-23537123*	KIT - EXTERNAL SEAL KIT - S60 E3
4992288*	Seal Ring Injector
4992289*	Seal Ring Injector
A-23535778*	Washer - Injector Hold Down Clamp
A-8929393*	Bolt
A-5230001*	INJECTOR REPAIR KIT
4991464*	Spring - Valve Injector S60
A-5234224*	Spacer - Seal Solenoid
A-5234699*	O-Ring - Injector External
A-5234701*	O-Ring - Injector Internal
A-5234702*	O-Ring - Injector External
4991455*	Screw - Pan Head
4991458*	Spring - Control Valve
4991539*	O-Ring - Injector S60
4991466*	Seat - Valve Spring S60
A-5235586*	Screw - Solenoid Assembly (4 required)
4991470*	Screw - Hex Head S60
4991454*	Screw - Flat Head
A-23511870*	Gasket - Lower Aux Inj Seal
A-5104701*	Seal - O-Ring Injector Tube
A-5230001-25*	KIT - INJECTOR REPAIR S60 BULK
Same as A-5230001 Kit above	25 QTY: A-5230001*
A-5234224*	SPACER - SEAL SOLENOID
A-5234368*	O-RING - INJECTOR
A-5234691*	O-RING

Item	Description
A-5234699*	O-RING - INJECTOR EXTERNAL
A-5234699K*	INJECTOR O-RING KIT
4991539*	O-Ring - Injector
A-5234224*	Spacer - Seal Solenoid
A-5234699*	O-Ring - Injector External
A-5234702*	O-Ring - Injector External
A-23511870*	Gasket - Lower Aux Inj Seal
A-5104701*	Seal - O-Ring Injector Tube
A-5234701*	O-RING - INJECTOR INTERNAL
A-5234702*	O-RING - INJECTOR EXTERNAL
A-5235586*	SCREW - SOLENOID ASSEMBLY S60
MCB26209*	INTERNAL SEAL KIT
4991539*	O-Ring - Injector S60
A-5234701*	O-Ring - Injector, Internal
A-5234224*	Spacer - Seal Solenoid
MCB26209-25*	KIT - INJECTOR INTERNAL SEAL S
Same as MCB26209 Kit above	25 QTY: MCB26209*
MCB26210*	EXTERNAL INJECTOR SEAL REPAIR KIT
A-5234699*	O-Ring - Injector, External
A-5234702*	O-Ring - Injector, External
A-5104701*	Seal - O-Ring Injector Tube
MCB26210-25*	KIT - INJECTOR EXTERNAL SEAL S
Same as MCB26210 Kit above	25 QTY: MCB26210*
MCBS60INJ*	EXTERNAL INJECTOR SEAL KIT
A-5234699*	O-Ring - Injector External
A-5234702*	O-Ring - Injector External
A-23511870*	Gasket - Lower Aux Inj Seal
A-5104701*	Seal - O-Ring Injector Tube
A-5234359*	ELEMENT - INJECTOR FILTER DDEC
MCB-DDEC-92K*	KIT - O-RING
A-5234281*	Ring - Seal - Injector
A-5234224*	Spacer - Seal Solenoid
M-131026*	Seal - O-Ring
A-5234368*	O-Ring Injector
M-3045986*	Seal - O-Ring
A-A4600700887*	KIT - INJECTOR INSTALL - DD13/15/16
A0000171560	Copper Washer
A0029900400	Bolt - Grade 10.9
A0179978645	O-Ring
A0179978745	O-Ring
A0179978845	O-Ring
A4270780180	Gasket
A-A4600700987*	KIT - SEAL - DD13/15/16
Same as Kit above	PLUS:
A-A0249976445*	Seal Ring - Injector Tube



A-23537111 - External Seal Kit - S60 N3\*



A-23537123 - External Seal Kit - S60 E3\*

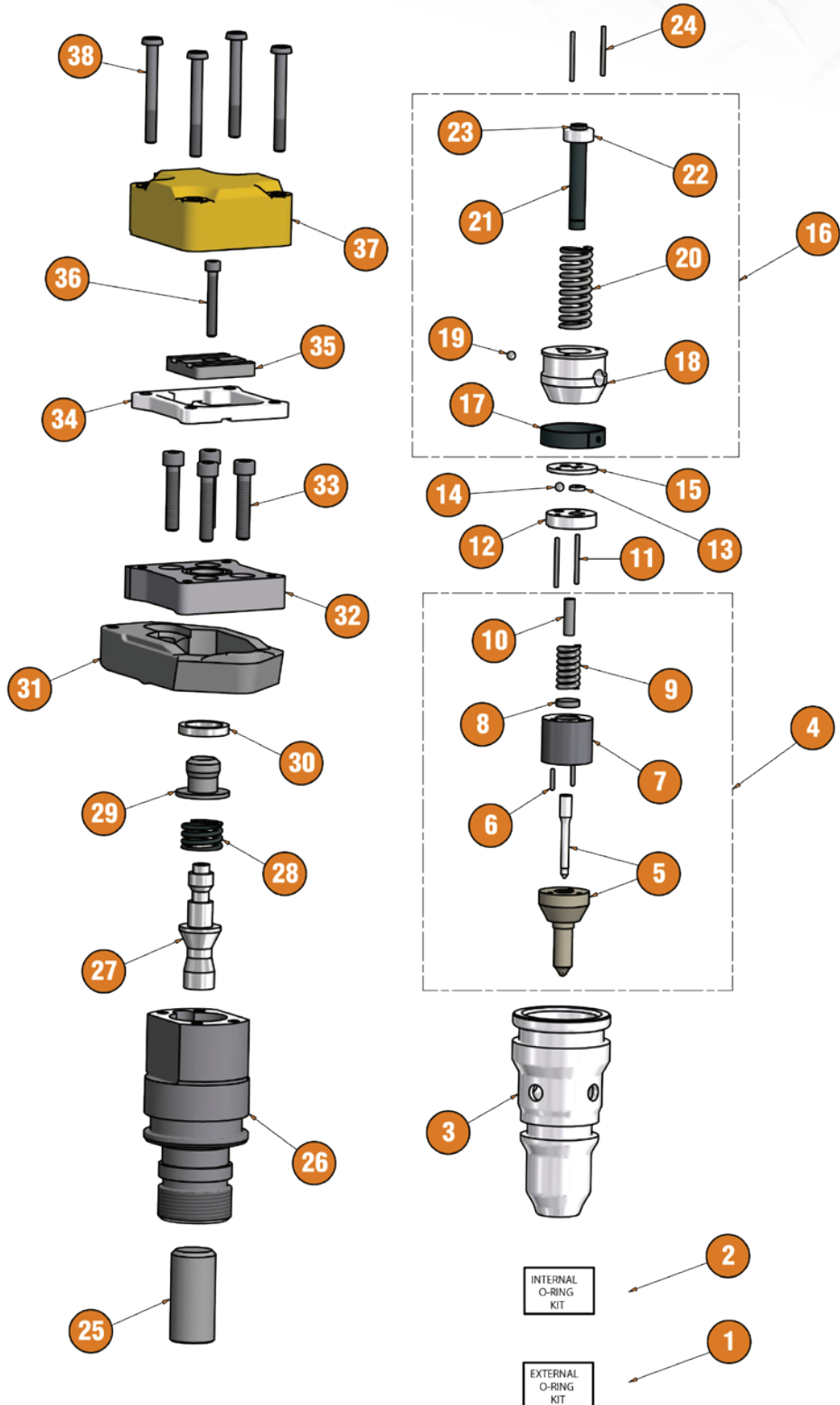


A-A4600700987 - Kit - Seal - DD13/15/16\*

\*Parts Available



# HEUI Injector Components







# HEUI Injector Components

Drawing Number	Item	Description	Quantity Required
1	MCBS0008*	External O-Ring Kit	1
2	See App. Chart	Internal O-Ring Kit	1
3	8991079	Nut	1
4	See App. Chart	Nozzle Group	1
5	See App. Chart	Nozzle Assembly	1
6	8991002*	Dowel Pin	2
7	8991029	Spacer Sleeve	1
8	8991028	Lift Spacer	1
9	8991106*	Nozzle Spring	1
10	8991026	Stop Pin	1
11	8991001*	Dowel Pin	2
12	8991080	Stop	1
13	8991081	Check Plate	1
14	8991082*	Check Ball	1
15	8991083	Stop Plate	1
16	See App. Chart	Plunger & Barrel Group	1
17	REF Item 16	Retaining Spring	1
18	REF Item 16	Barrel	1
19	REF Item 16	Check Ball	1
20	REF Item 16	Spring	1
21	REF Item 16	Plunger	1
22	REF Item 16	Retaining Washer	1
23	REF Item 16	Retaining Ring	1
24	8991001*	Dowel	2
25	See App. Chart	Intensifier Piston	1
26	8991091	Piston & Valve Body	1
27	8991092	Poppet Valve	1
28	8991093	Poppet Spring	1
29	8991094	Sleeve	1
30	8991095	Poppet Shim	1
31	8991096	Clamp	1
32	8991097	Adapter	1
33	8991099	Assembly Screw	4
34	8991100	Solenoid Spacer	1
35	8991101	Armature	1
36	8991102	Adjusting Screw	1
37	8991103	Solenoid	1
38	8991003*	Solenoid Screw	4

Drawing Number	Item	Reference Number	Description	Quantity Required
2	MCBS0007*		Internal O-Ring Kit	1
	MCBS0007-1*		Seal Ring	
	MCBS0530*		Internal O-Ring Kit	1
	MCBS0530-1*		Seal Ring	
	MCBS0530-2*		Seal Ring - Green - 17.5 mm	
	MCBS0530-3*		Seal Ring - Small - Blue	
	MCBS0530-4*		Seal Ring	
4	8991135*	41005/31	Nozzle Group	1
	8991136*	41006/31	Nozzle Group	1
	8991137*	41007/31	Nozzle Group	1
	8991145*	41015/31	Nozzle Group	1
	8991146*	41016/31	Nozzle Group	1
	8991155*	41025/31	Nozzle Group	1
	8991156*	41026/31	Nozzle Group	1
	8991165*	41035/31	Nozzle Group	1
	8991166*	41036/31	Nozzle Group	1
	8991175*	41025/31	Nozzle Group	1
5	Use Application Chart on P. 19			
16	8996000*	06000/31	Plunger & Barrel Group 6.00 mm	1
	8996001*	06001/31	Plunger & Barrel Group 6.00 mm	1
	8996060*	06060/31	Plunger & Barrel Group 6.00 mm	1
	8996061*	06061/31	Plunger & Barrel Group 6.00 mm	1
	8997100*	07100/31	Plunger & Barrel Group 7.1 mm	1
	8997160*	07160/31	Plunger & Barrel Group 7.1 mm	1
25	8991110*	13053/31	Intensifier Piston	1
	8991111*	13056/31	Intensifier Piston	1
	8991112*	13057/31	Intensifier Piston	1
	8991113*	13055/31	Intensifier Piston	1
	8991114*	13050/31	Intensifier Piston	1
	8991115*	13052/31	Intensifier Piston	1
	8991117*	13051/31	Intensifier Piston	1
	8991118*	13054/31	Intensifier Piston	1



## HEUI Injector Components, continued

Item	Description
M-1830742C92*	<b>SEAL KIT, EXTERNAL, INJECTOR, NAVISTAR</b>
M-F5TZ-9229-B1*	Ring, Back-Up
M-F5TZ-9229-B2*	Ring, Cushion
M-F5TZ-9229-B3*	O-Ring
M-F5TZ-9229-B6*	Seal, Lower Injector
M-F5TZ-9229-B8*	Seal Ring
M-1830742C92-1*	Seal
MCB0006*	<b>KIT, STAINLESS STEEL CHAMBER GASKETS</b>
M-2421539*	<b>O-RING KIT, SINGLE FUEL INJECTOR, 3126</b>
M-1093207*	Seal O-Ring
M-1333715*	Seal O-Ring Fuel Inj
M-1482903*	Seal O-Ring
M-1495240*	Seal O-Ring Fuel Inj
M-1504105*	Seal O-Ring Fuel Inj
M-2373800*	Seal O-Ring
MCB06063/31*	<b>P&amp;B GROUP, 3126, 3126B</b>
MCB07161/31*	<b>P&amp;B GROUP, 3126, 3126B</b>
MCB41006/32*	<b>NOZZLE GROUP, 3126, 3126B</b>
MCB41016/31*	<b>NOZZLE GROUP, 3126, 3126B</b>
MCB41016/32*	<b>NOZZLE GROUP, 3126, 3126B</b>
M-4C3Z-9C977-AA*	<b>REPAIR KIT, IPR</b>
M-4C3Z-9C977-AA-1*	Small O-Ring
M-4C3Z-9C977-AA-2*	Large O-Ring
M-4C3Z-9C977-AA-3*	Back Up Ring
M-4C3Z-9C977-AA-4*	Nut
M-2235850*	<b>GASKET SET – 3176B</b>
M-9X7317*	Seal O-Ring
M-9X7722*	Seal O-Ring
M-2153198*	Seal O-Ring
M-2421539*	<b>O-RING KIT – 3126B</b>
M-1093207*	Seal O-Ring
M-1333715*	Seal O-Ring
M-1482903*	Seal O-Ring
M-1495240*	Seal O-Ring
M-1504105*	Seal O-Ring
M-2373800*	Seal O-Ring

Injector Part Number	Description	Nozzle Assy
	AA, AB, AC, AD, AE, AF	MCB41007/31
	BA	MCB41025/31
	BB	MCB41015/31
	BC, BE	MCB41005/31
	BD	MCB41035/31
	BF	MCB41045/31
	BG, BJ	MCB41006/31
	BI	MCB41016/31*
	BN	MCB41026/31
	BP	MCB41036/31
OR9358 - 10R1257	PSTRKE, 3126B, 3126E, HI300	MCB41006/31
OR9348 - OR9350 - 10R1257	PSTRKE, 3126B, 3126E, HI300	
OR9349	PSTRKE, 3126B, 3126E, HI300	MCB41016/32*
OR9349 - 10R0782 - 10R1262	PSTRKE, 3126B, 3126E, HI300	
OR9350	PSTRKE, 3126B, 3126E, HI300	MCB41026/32*
10R0781	PSTRKE, 3126B, 3126E, HI300	MCB41036/32*
10R0782 - 10R1262	PSTRKE, 3126B, 3126E, HI300	MCB41046/32*
OR1050 - 10R1050	PSTRKE, 3126B, 3126E, HI300	MCB41007/32
10R1306	PSTRKE, 3126B, 3126E, HI300	MCB41056/32*
10R8999	PSTRKE, 3126B, 3126E, HI300	MCB41066/32
OR8473	3114, 3116, 3126	MCB41955/31*
OR8469	3114, 3116, 3127	MCB41956/31
OR8682	3114, 3116, 3128	MCB41966/31
OR8684	3114, 3116, 3129	MCB41986/31

Injector Part Number	Description	Item
10R4761/62/63	P&B ASSY	MCB06800-32
10R4761/62/63	CHECK VALVE	MCB11957-32
10R4761/62	HYDRAULIC PLATE	MCB13701-32
10R4761/62	HYDRAULIC PLATE	MCB13702-32
10R4761/62/63	SPOOL VENT PLATE	MCB13703-32
10R4763	HYDRAULIC PLATE	MCB13711-32
10R4763	HYDRAULIC PLATE	MCB13712-32
10R4761/62/63	OIL CONTROL ASSY	MCB23250-32



MCB41056-32\*



MCB41986-31\*



# Navistar® HEUI Application Chart

Body Group	Model Year	Engine	Navistar Injector P/N	P&B Group Type Plunger OD	Nozzle P/N Orifices VOP (PSI)	Nozzle Group	Seal Kits: Internal External	Intensifier Piston OD Length
AA	94-96 94-98	Navistar T444E Up to Engine S/N 460194	1822800C95 (3) 1816187C3 (4) 1822801C98 (1) 1822801C99 (1) 1821836C3 (2)	8996000 Standard 6.0mm	8991037 7 holes 2675 +/-125	8991137	MCBS0007 MCBS0008	8991117 16mm 32.2mm
AB	97-99 99	Navistar T444E Engine S/N 460195 to 843989	1824582C94 1822803C1 1824583C97 1825125C1	8996060 Prime 6.0 mm	8991037 7 holes 2675 +/-125	8991137	MCBS0007 MCBS0008	8991114 16mm 29.7mm
AC	94-96	Navistar T444E (High Output), 210HP (High Torque) & 230HP	11824455C94 1822890C1 1824456C96 1824472C1	8996000 Standard 6.0mm	8991037 7 holes 2675 +/-125	8991137	MCBS0007 MCBS0008	8991115 16mm 29.7mm
AD	99-02 99-03	Navistar T444E Engine S/N 843990 & Up	1831551C1 1831550C1 1831487C92 1831487C93 1831489C1	8996061 Prime 6.0mm	8991037 7 holes 2675 +/-125	8991137	MCBS0007 MCBS0008	8991111 16mm 29.1mm
AE	99-02 02-03	Navistar T444E Engine S/N 1313828 & Up	1833639C1 1833640C1 1833646C92	8996061 Prime 6.0mm	8991037 7 holes 2675 +/-125	8991137	MCBS0007 MCBS0008	8991110 16mm 29.1mm
BA	95-97	Navistar DT466E, 230HP (High Torque) & 250HP up to S/N 1084867	1823736C94 1819834C1 1824928C94 1824917C2	8996001 Standard 6.0mm	8991055 5 holes 3700 +/-125	8991155	MCBS0007 MCBS0008	8991115 16mm 29.7mm
BB	BB 95-97	Navistar DT466E, 175 & 190HP up to S/N 1028710	1824742C91 1824739C1 1824929C94 1824918C2	8996001 Standard 6.0mm	8991045 5 holes 3700 +/-125	8991145	MCBS0007 MCBS0008	8991115 16mm 29.7mm
BC	95-97	Navistar DT466E, 195, 210 & 230HP up to S/N 1028710	1824743C91 1824740C1 1824930C94 1824919C2	8996001 Standard 6.0mm	8991035 5 holes 3700 +/-125	8991135	MCBS0007 MCBS0008	8991115 16mm 29.7mm
BD	95-97	Navistar I530E, 250, 275 & 300HP up to S/N 1084028	1824744C94 1824741C2 1824931C94 1824920C2	8997100 Standard 7.1mm	8991065 5 holes 3700 +/-125	8991165	MCBS0530 MCBS0008	8991113 17.5mm 29.3mm
BE	97-99	Navistar DT466E, 175 to 210 & 230HP Engine S/N 1028711 to 1194038	1829838C94 1829926C2 1829839C93 1829839C94 1829837C2	8996060 Prime 6.0mm	8991035 5 holes 3700 +/-125	8991135	MCBS0007 MCBS0008	8991112 16mm 29.1mm
BF	98-99	Navistar I530E, 250 to 320HP Engine S/N 1084029 to 1134350	1830145C92 1830147C2 1830146C92 1830146C93 1830148C2	8997160 Prime 7.1mm	8991075 5 holes 3700 +/-125	8991175	MCBS0530 MCBS0008	8991118 17.5mm 26.7mm
BG	97-99	Navistar DT466E, 250HP S/N 1084868 to 1125227	1830155C91 1830157C1 1830156C91 1830573C2	8997160 Prime 7.1mm	8991036 6 holes 3700 +/-125	8991136	MCBS0530 MCBS0008	8991118 17.5mm 26.7mm
BI	99-UP	Navistar DT466E, 250HP S/N 1125228 & Up	1830740C92 1830560C2 1830561C92 1830741C92 1830741C93 1830562C2	8997160 Prime 7.1mm	8991046 6 holes 3700 +/-125	8991146	MCBS0530 MCBS0008	8991118 17.5mm 26.7mm
BJ	99	Navistar I530E, 250 to 320HP, Engine S/N 1134351 to 1194038	1830570C92 1830571C2 1830572C92 1830572C93 1830573C2	8997160 Prime 7.1mm	8991036 6 holes 3700 +/-125	8991136	MCBS0530 MCBS0008	8991118 17.5mm 26.7mm
BN	00-UP	Navistar I530E Engine 1194039 & Up	1830693C1 1830694C91 1830692C91 1830691C1	8997160 Prime 7.1mm	8991056 6 holes 3700 +/-125	8991156	MCBS0530 MCBS0008	8991118 17.5mm 26.7mm
BP	00-UP	Navistar DT466E Transit	1836252C91 1836253C1 1836251C91 1836250C1	8997160 Prime 7.1mm	8991066 6 holes 3700 +/-125	8991166	MCBS0530 MCBS0008	8991118 17.5mm 26.7mm



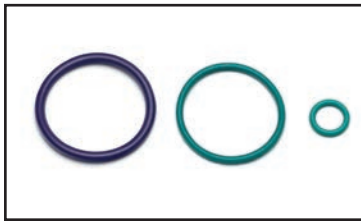
## HEUI Additional Cross-Reference

Part Description	Reference Number	Interstate-McBee Reference Number	Part Description	Reference Number	Interstate-McBee Reference Number	Part Description	Reference Number	Interstate-McBee Reference Number
Nozzle Group	DPE41007/31	8991137	P&B Group	DPE06000/31	8996000	Intensifier Piston	DPS13051/31	8991117
Nozzle Group	DPE41025/31	8991155	P&B Group	DPE06060/31	8996060	Intensifier Piston	DPS13050/31	8991114
Nozzle Group	DPE41015/31	8991145	P&B Group	DPE06001/31	8996001	Intensifier Piston	DPS13052/31	8991115
Nozzle Group	DPE41005/31	8991135	P&B Group	DPE06061/31	8996061	Intensifier Piston	DPS13056/31	8991111
Nozzle Group	DPE41035/31	8991165	P&B Group	DPE07100/31	8997100	Intensifier Piston	DPS13053/31	8991110
Nozzle Group	DPE41045/31	8991175	P&B Group	DPE07160/31	8997160	Intensifier Piston	DPS13055/31	8991113
Nozzle Group	DPE41016/31	8991146				Intensifier Piston	DPS13057/31	8991112
Nozzle Group	DPE41006/31	8991136				Intensifier Piston	DPS13054/31	8991118
Nozzle Group	DPE41026/31	8991156						
Nozzle Group	DPE41036/31	8991166						



Ask about our  
Electronic Injector  
Pocket Guide

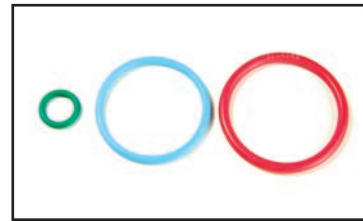




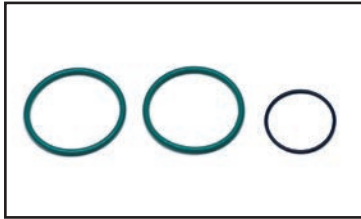
M-2245797 O-Ring Kit (CAT C10, C12)



M-2291490 Injector Sleeve Kit (CAT)



M-2481394 O-Ring Kit Fuel Injector External (CAT)



M-22742390RK O-Ring Kit (CAT)



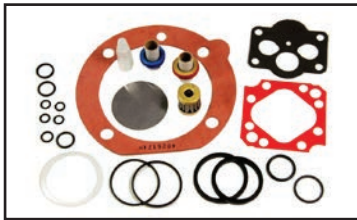
M-1208775 Repair Kit CP-3 Pump (CUM Common Rail)\*



M-9600159 VP44 Pump Repair Kit (CUM Select)



M-3803477 CELECT® Seal Kit (Front Drive Shaft)



M-3803478 CELECT® Fuel Pump Overhaul Seal Kit



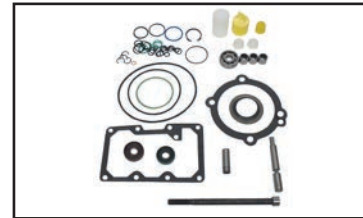
MCB26129 CELECT® Injector Repair Kit



MCB3060001 CELECT® Injector Repair Kit



M-3178021RK Fuel Pump Repair Kit



M-3190677RK - Fuel Pump Repair Kit



M-4089431RK Fuel Pump Repair Kit (CUM ISX)



MCB7243 Injector Tube Kit (CUM ISX)



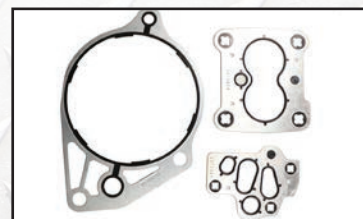
MCBQSKINJ Kit



MCBQSK-OH QSK HPI Repair Kit



M-1208775 CP-3 Fuel Pump Kit



M-4307482 - XPI Pump Kit



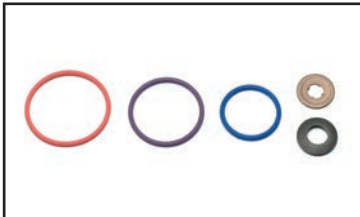
8991004 Solenoid Installation Kit (DDC S60)



A-5234699K Seal Kit (DDC S60)



A-23528939 Kit Follow Spring & Retainer (DDC S60)



A-23537111 External Injector Seal Kit (N3)



A-23506563 - Fuel Pump Check Valve Kit (DDC S60)



M-23517845RK Pump Repair Kit (DDC S60)



MCBS60INJ Injector Installation Kit (DDC S60)



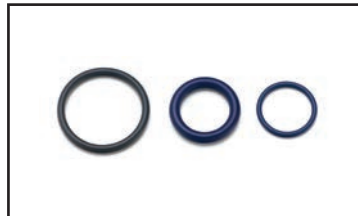
AP0003 IPR Valve Seal Kit (HEUI)



AP0007 Fuel Filter Drain Valve Kit (HEUI)



M-1830742C92 O-Ring Seal Kit (HEUI)



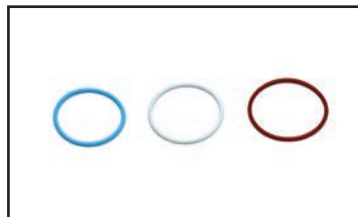
MCBS0007 O-Rink Kit Internal (HEUI)



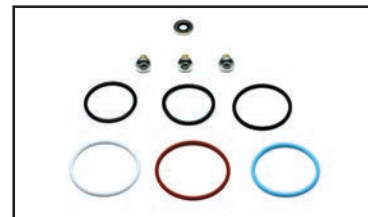
AP0001 O-Ring Kit External (HEUI)



M-4025063-OH Injector Repair Kit A-2016-2



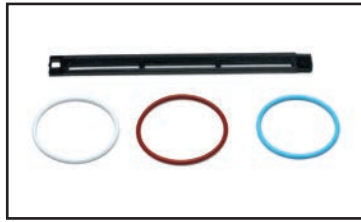
MCBM11INJ\* / MCBN14INJ\* CELECT® External O-Ring Kit



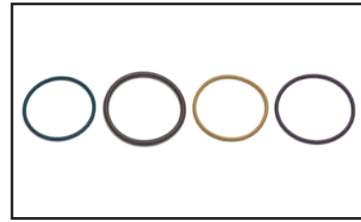
MCB26104 CELECT® Injector Repair Kit N14



MCB26105 CELECT® Injector Repair Kit L10/M11



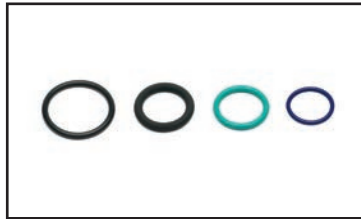
MCB26124 CELECT® Installation Seal Kit



MCBISXINJ ISX External O-Ring Kit



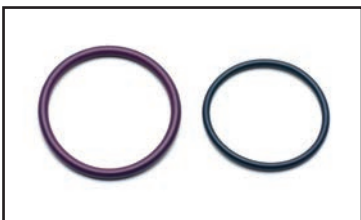
MCBS0008 Ford HEUI External Seal Kit



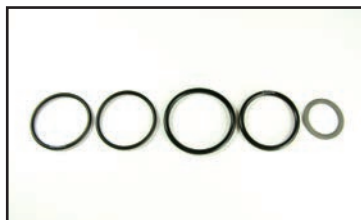
MCBS0530 HEUI Injector Internal Seal Kit



M-4C3Z-9C977-AA IPR Repair Kit



M-1063385 3500 EUI Injector External O-Ring Kit



M-10802190RK Seal Kit for M-1080219 Tube



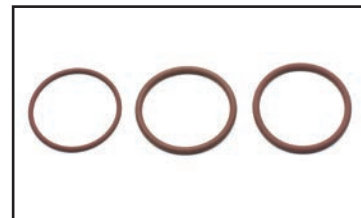
A-44600700887 - Kit - Injector Install - DD15



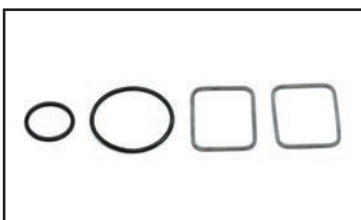
A-A4600700987 - Kit - Seal - DD15



M-2421539 3126 Injector External O-Ring Kit



M-6V9897 3500 MUI External Seal Kit



MCB26209 Internal Seal Kit



MCB26210 External Injector Seal Repair Kit



A-5230001 Injector Repair Kit



# INTERSTATE-McBEE



## ALSO AVAILABLE Engine Components For:

- |                |                |                   |             |
|----------------|----------------|-------------------|-------------|
| ◆ Caterpillar® | ◆ Cummins®     | ◆ Detroit Diesel® | ◆ Navistar® |
| – 3300         | – 855          | – 2 Cycle         | – DT360     |
| – 3400         | – N14          | – Series 60       | – DT466     |
| – 3500         | – ISX          |                   | – DT530     |
| – Diesel & Gas | – K            |                   | – DT570     |
|                | – Diesel & Gas |                   |             |

© Detroit Diesel is a registered trademarks of Detroit Diesel Corporation.  
© Cummins is a registered trademark of Cummins, Inc.  
© Caterpillar is a registered trademark of Caterpillar, Inc.  
© Navistar is a registered trademark of Navistar, Inc.  
All manufacturer's names, numbers, symbols and descriptions are used for reference purposes only and does not imply that any part listed is the product of these manufacturers.



World Headquarters ◆ 5300 Lakeside Ave. ◆ Cleveland, Ohio 44114 ◆ Phone 216-881-0015 ◆ Toll Free 800-321-4234