



Replacement Parts for **ISX Fracture Split Rod** Applications

CONNECTING ROD BEARINGS

Part number 2882087 fracture split connecting rod bearings have a small tab at the corner, which may serve only for identification purposes. However, aftermarket manufacturers like Interstate-McBee may produce bearings without this tab.

Extra caution should be taken during installation to ensure the correct orientation and fitment of the bearings. Installing rod bearings incorrectly can lead to oil starvation, excessive wear, and potential engine failure. Extra care ensures proper function and longevity.

Tips to Avoid Installation Mistakes

Verify Orientation

Even without the tab, ensure the bearing shells align properly with rod and cap.

Check Part Numbers

Confirm the bearings match the engine specifications before installation.

Inspect for Oil Holes & Notches

Some bearings may have specific features for oiling that must align properly.

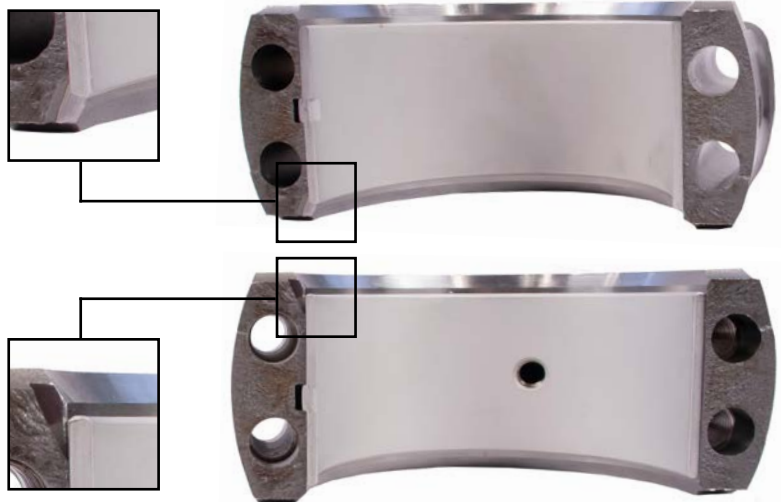
Follow Torque Specs

Always use the recommended torque values and procedures to prevent premature failure.

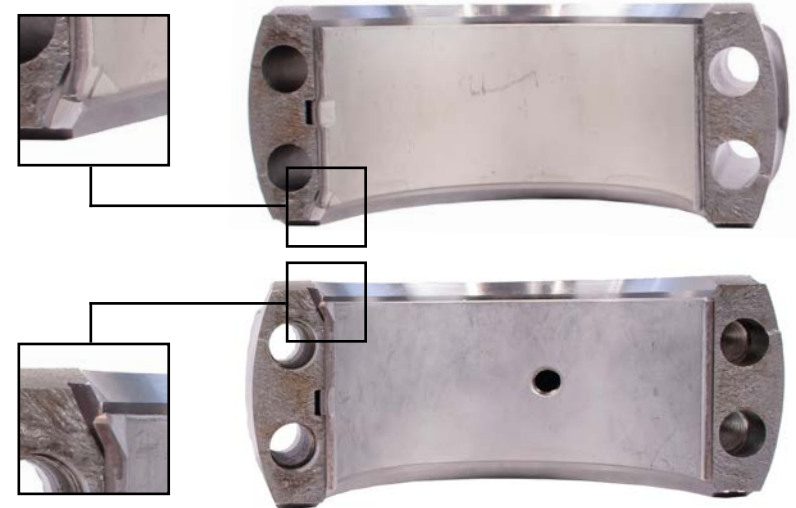
Lubricate Properly

Use correct assemblylube/engine oil to avoid dry starts.

Interstate-McBee bearings (no corner tangs, straight edges)



OEM bearings (corner tangs present)



WORLD HEADQUARTERS

7440 Oak Leaf Rd
Oakwood Village, OH 44146

P: (216) 881-0015
F: (216) 881-0805

FLORIDA

9955 NW 58th St
Doral, FL 33178

P: (305) 863-6650
F: (305) 863-6272

CALIFORNIA

13137 Arctic Cir
Santa Fe Springs, CA 90670

P: (562) 356-5414
F: (562) 926-2452

TEXAS

22755 NW Lake Dr, Bldg #3
Houston, TX 77095

P: (281) 645-7168
F: (281) 443-0202

NEBRASKA

6200 Arbor Rd
Lincoln, NE 68517

P: (402) 417-1059
F: (402) 975-6169

